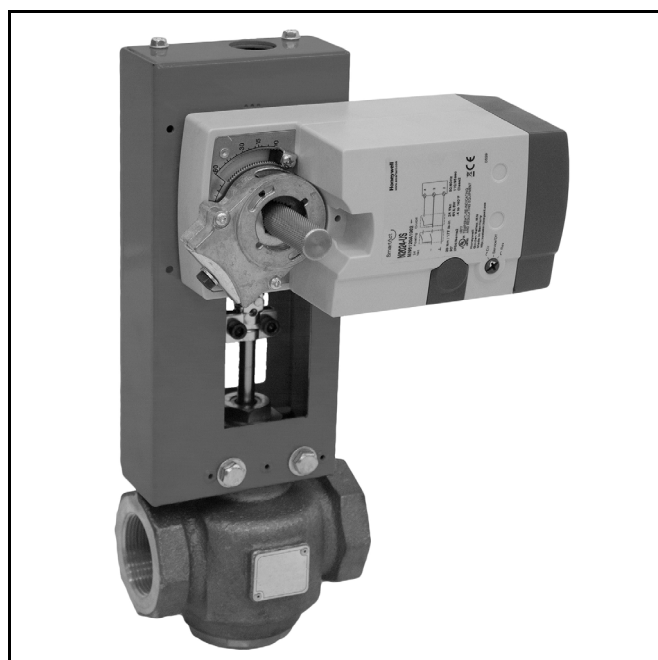


Q5024A,B Globe Valve Linkages

FOR DIRECT COUPLED ACTUATORS

PRODUCT DATA



- Heavy-duty steel rack and pinion construction and aluminum die-cast housing.
- Maintenance-free construction.
- Flexible actuator mounting orientation.
- Adjustable manual override lever and valve position indicator.
- Available for 1/2" through 6" globe valves made by most manufacturers.
- Used with Honeywell MS and MN Spring and Non-Spring Actuators.

SPECIFICATIONS

Models: See Table 1.

Table 1. Models.

Linkage	Actuator Qty*	Valve Stroke**
Q5024A1116	1	0.63" / 16mm
Q5024A1123	1	0.91" / 23mm
Q5024A1130	1	1.18" / 30mm
Q5024B2230	2	1.18" / 30mm
Q5024B2240	2	1.57" / 40mm

* See Table 3 for Linkage and Actuator selection.

** If the exact stroke is not available than round up to the next higher stroke.

Dimensions: See Fig. 1.

Temperature Range:

Ambient Range: -40°F to 140°F (-40°C to 60°C).

Materials of Construction:

Housing: Cold Rolled Steel
 Rack and Pinion Gears: Steel
 Bushing and Clip: Brass

APPLICATION

Q5024 globe valve linkages connect a Honeywell direct coupled actuator (DCA) to a steam or water globe valve. Q5024 linkages are compatible with 2- and 3-way globe valves.

FEATURES

- Used with 2-way and 3-way globe valves in modulating or two-position service.
- Quick and simple installation with no disassembly required.

Contents

Application	1
Specifications	1
Installation	13
Checkout	14
Special Order Form	15



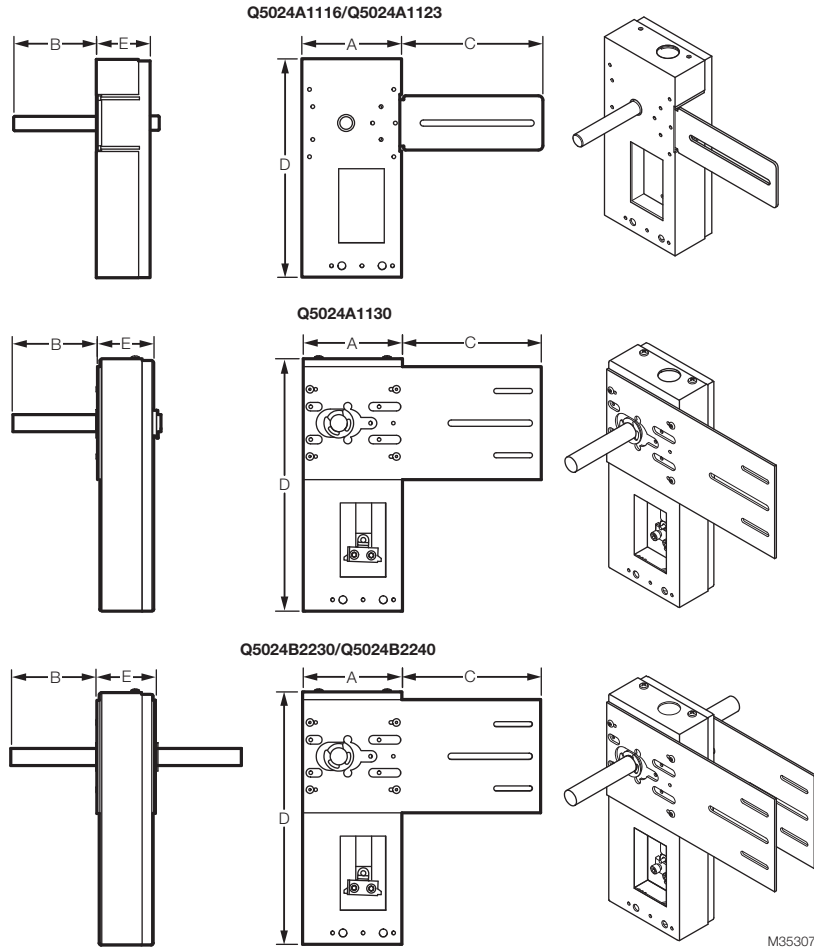


Fig. 1. Q5024 Dimensions.

Table 2. Dimensions in Inches.

Linkage	A	B	C	D	E	Shaft Dia.
Q5024A1116 Q5024A1123	4-3/8"	3-1/2"	6-1/4"	9-1/2"	2-1/2"	16mm
Q5024A1130 Q5024B2230 Q5024B2240	4-3/8"	4"	6"	11"	2-3/8"	19mm

ORDERING INFORMATION

When purchasing replacement and modernization products from your TRADELINE® wholesaler or distributor, refer to the TRADELINE® Catalog or price sheets for complete ordering number. If you have additional questions, need further information, or would like to comment on our products or services, please write or phone:

1. Your local Honeywell Environmental and Combustion Controls Sales Office (check white pages of your phone directory).
2. Honeywell Customer Care
1985 Douglas Drive North
Golden Valley, Minnesota 55422-4386
3. <http://customer.honeywell.com> or <http://customer.honeywell.ca>

International Sales and Service Offices in all principal cities of the world. Manufacturing in Belgium, Canada, China, Czech Republic, Germany, Hungary, Italy, Mexico, Netherlands, United Kingdom, and United States.

LINKAGE SELECTION INSTRUCTION

When selecting your linkage look at the Table 3 for the valve model list. Select the correct valve size to see the recommended linkage and bonnet adapter. Choose the correct actuator torque based on necessary close-off pressure. If model you are looking for is not listed fill out the Special Order Form located below.

If you do not have the exact part number or valve size, measure the valve stroke and select the corresponding linkage from Table 1. Next, select the appropriate bonnet adapter kit from Table 5. This kit includes variety of bonnet adapters for you to choose from at the job site.

Table 3. Linkage and Actuator Selection.

Manufacturer	Valve Model	Single Actuator Linkage							
		Valve Connection Size (inch)	Linkage and Bonnet Adapter	Actuator Torque (lb-in)					
Close-Off (psi)									
Honeywell	V5011 V5013	0.5	Q5024A1123 and HU5024-001	230	230				
		0.75		130	230				
		1		80	140	230			
		1.25		50	90	200			
		1.5			65	140			
		2			35	80	140		
		2.5				55	90		
		3				35	65		
		Dual Actuator Linkage							
		VGF			Valve Connection Size (inch)	Linkage and Bonnet Adapter	Actuator Torque (lb-in)		
	350 (2 x 175)		600 (2 x 300)						
	Close-Off (psi)								
	2		Q5024B2230 and HU5024-001		118				
	2.5				75	123			
	3				50	80			
	4		Q5024B2240 and HU5024-002		18		38		
	5				12	21			
	6	10		16					
	Dual Actuator Linkage								
			Valve Connection Size (inch)	Linkage and Bonnet Adapter	Actuator Torque (lb-in)				
44					88		175		300
Close-Off (psi)									
2.5			Q5024A1123 and HU5024-001			52	88		
3						26	42		
Dual Actuator Linkage									
				Valve Connection Size (inch)	Linkage and Bonnet Adapter	Actuator Torque (lb-in)			
						350 (2 x 175)		600 (2 x 300)	
				Close-Off (psi)					
				2.5	Q5024B2240 and HU5024-002	110		190	
	3	55		94					
4	27	47							
5	11	18							
6	11	18							

Table 3. Linkage and Actuator Selection. (Continued)

Manufacturer	Valve Model	Dual Actuator Linkage						
		Valve Connection Size (inch)	Linkage and Bonnet Adapter	Actuator Torque (lb-in)				
				350 (2 x 175)	600 (2 x 300)			
		Close-Off (psi)						
Honeywell (continued)	VGF Pressure Balanced	2.5	Q5024B2230 and HU5024-002	175	175			
		3		175	175			
		4	Q5024B2240 and HU5024-002	175	175			
		5		175	175			
		6		175	175			
		Johnson Control	V90AD-1C thru 7C V90DD-1C thru 7C	Single Actuator Linkage				
Valve Connection Size (inch)	Linkage and Bonnet Adapter			Actuator Torque (lb-in)				
				44	88	175	300	
Close-Off (psi)								
	0.5			Q5024A1116 and JU5024-005	230	230		
	0.75				165	230		
	1			Q5024A1123 and JU5024-005	80	140		
	1.5					65	140	
	0.5			Q5024A1123 and JU5024-005	230	230		
	0.75				130	230		
	1		80		140	230		
	1.25		50		90	200		
	1.5				65	140		
	2				35	80	140	
	2.5		Q5024A1123 and JU5024-002			55	90	
	Dual Actuator Linkage							
	Actuator Torque (lb-in)							
			350 (2 x 175)	600 (2 x 300)				
	Close-Off (psi)							
	3		Q5024B2230 and JU5024-002	50	80			

Table 3. Linkage and Actuator Selection. (Continued)

Manufacturer	Valve Model	Single Actuator Linkage							
		Valve Connection Size (inch)	Linkage and Bonnet Adapter	Actuator Torque (lb-in)					
				44	88	175	300		
				Close-Off (psi)					
Johnson Control (continued)	VG7000/2000 Series	0.5	Q5024A1116 and JU5024-001	230	230				
		0.75		165	230				
		1	Q5024A1116 and JU5024-003	100	190				
		1.25		65	120				
		1.5	Q5024A1123 and JU5024-003		65	140			
		2			35	80	140		
		2.5	Q5024A1123 and JU5024-004			55	90		
						Dual Actuator Linkage			
						Actuator Torque (lb-in)			
						350 (2 x 175)		600 (2 x 300)	
						Close-Off (psi)			
				3	Q5024B2230 and JU5024-004	50		80	
				4		18		48	
				5	Q5024B2240 and JU5024-004	12		21	
		6	10			16			
	VTM Series VB-3752					Single Actuator Linkage			
		Valve Connection Size (inch)	Linkage and Bonnet Adapter	Actuator Torque (lb-in)					
				44	88	175	300		
						Close-Off (psi)			
		0.5	Q5024A1116 and JU5024-005	230	230				
		0.75		165	230				
		1	Q5024A1123 and JU5024-005	100	190				
		1.25		50	90				
		1.5	Q5024A1123 and JU5024-005		65	140			
		2			35	80	140		
		2.5	Q5024A1123 and JU5024-002			55	90		
						Dual Actuator Linkage			
						Actuator Torque (lb-in)			
						350 (2 x 175)		600 (2 x 300)	
				Close-Off (psi)					
		3	Q5024B2230 and JU5024-002	50		80			
		4		18		48			
		5	Q5024B2240 and JU5024-006	12		21			
		6		10		16			

Table 3. Linkage and Actuator Selection. (Continued)

Manufacturer	Valve Model	Single Actuator Linkage							
		Valve Connection Size (inch)	Linkage and Bonnet Adapter	Actuator Torque (lb-in)					
				44	88	175	300		
				Close-Off (psi)					
Johnson Control (continued)	VB-3754-1 thru 8 VB-3970	0.5	Q5024A1116 and JU5024-005	230	230				
		0.75		165	230				
		1	Q5024A1123 and JU5024-005	80	140				
		1.25		50	90	200			
		1.5			65	140			
		2			35	80	140		
		2.5	Q5024A1123 and JU5024-002			55	90		
		Dual Actuator Linkage							
					Actuator Torque (lb-in)				
					350 (2 x 175)		600 (2 x 300)		
					Close-Off (psi)				
			3	Q5024B2230 and JU5024-002	50		80		
			4		18		48		
			5	Q5024B2240 and JU5024-006	12		21		
		6	10		16				
	VB-3954-1 thru 7 VB-4324-1 thru 7 VB-4322	Single Actuator Linkage							
		Valve Connection Size (inch)	Linkage and Bonnet Adapter	Actuator Torque (lb-in)					
				44	88	175	300		
						Close-Off (psi)			
				0.5	Q5024A1116 and JU5024-005	230	230		
				0.75		165	230		
				1	Q5024A1123 and JU5024-005	80	140		
				1.25		50	90	200	
			1.5			65	140		
			2			35	80	140	
			2.5	Q5024A1123 and JU5024-002			55	90	
	Dual Actuator Linkage								
					Actuator Torque (lb-in)				
					350 (2 x 175)		600 (2 x 300)		
				Close-Off (psi)					
		3	Q5024B2230 and JU5024-002	50		80			
		4		18		48			
		5	Q5024B2240 and JU5024-006	12		21			
		6		10		16			

Table 3. Linkage and Actuator Selection. (Continued)

Manufacturer	Valve Model	Single Actuator Linkage					
		Valve Connection Size (inch)	Linkage and Bonnet Adapter	Actuator Torque (lb-in)			
Johnson Control (continued)	V-5462			2.5	Q5024A1123 and JU5024-006	44	88
		Close-Off (psi)					
						55	90
		Dual Actuator Linkage					
				Actuator Torque (lb-in)			
				350 (2 x 175)	600 (2 x 300)		
				Close-Off (psi)			
		3	Q5024B2230 and JU5024-006	50	80		
		4		18	48		
		5	Q5024B2240 and JU5024-006	12	21		
6		10	16				
Siemens Landis Powers	591 (3 way)	Single Actuator Linkage					
		Valve Connection Size (inch)	Linkage and Bonnet Adapter	Actuator Torque (lb-in)			
				44	88	175	300
						Close-Off (psi)	
		1.5	Q5024A1116 and GU5024-002		85		
		2			45		
		2.5	Q5024A1123 and GU5024-003			55	90
		3				35	65
		Dual Actuator Linkage					
				Actuator Torque (lb-in)			
		350 (2 x 175)	600 (2 x 300)				
		Close-Off (psi)					
4	Q5024B2230 and GU5024-003	18	48				
5	Q5024B2240 and GU5024-003	12	21				
6		10	16				

Table 3. Linkage and Actuator Selection. (Continued)

Manufacturer	Valve Model	Single Actuator Linkage							
		Valve Connection Size (inch)	Linkage and Bonnet Adapter	Actuator Torque (lb-in)					
				44	88	175	300		
				Close-Off (psi)					
Siemens Landis Powers (continued)	591 (2 way)	1.5	Q5024A1130 and		50	105			
		2	GU5024-002		30	60	105		
		2.5	Q5024A1123 and			55	90		
		3	GU5024-003			35	65		
		Dual Actuator Linkage							
						Actuator Torque (lb-in)			
						350 (2 x 175)		600 (2 x 300)	
						Close-Off (psi)			
		4	Q5024B2230 and		18		48		
		5	GU5024-003						
	5	Q5024B2240 and		12		21			
	6	GU5024-003		10		16			
	599	Single Actuator Linkage							
		Valve Connection Size (inch)	Linkage and Bonnet Adapter	Actuator Torque (lb-in)					
				44	88	175	300		
				Close-Off (psi)					
0.5		Q5024A1123	230	230					
0.75			130	230					
1			80	140	230				
1.25			50	90	200				
1.5				65	140				
2				35	80	140			
2.5					55	90			
3					35	65			
Dual Actuator Linkage									
				Actuator Torque (lb-in)					
				350 (2 x 175)		600 (2 x 300)			
				Close-Off (psi)					
4	Q5024B2240		18		38				
5			12		21				
6			10		16				
658	Single Actuator Linkage								
	Valve Connection Size (inch)	Linkage and Bonnet Adapter	Actuator Torque (lb-in)						
			44	88	175	300			
					Close-Off (psi)				
	0.5	Q5024A1116 and	230	230					
0.75	GU5024-001		165	230					
1	100		190						
1.25	65		120						

Table 3. Linkage and Actuator Selection. (Continued)

Manufacturer	Valve Model	Single Actuator Linkage					
Siebe Barber Colman Invensys	VB-111 Series	Valve Connection Size (inch)	Linkage and Bonnet Adapter	Actuator Torque (lb-in)			
				44	88	175	300
		Close-Off (psi)					
		0.5	Q5024A1116 and BU5024-001	230	230		
		0.75		165	230		
	1	100		190			
	1.25	65		120			
	VB-921 Series	Single Actuator Linkage					
		Valve Connection Size (inch)	Linkage and Bonnet Adapter	Actuator Torque (lb-in)			
				44	88	175	300
		Close-Off (psi)					
		0.5	Q5024A1116 and BU5024-001	230	230		
		0.75		165	230		
		1		100	190		
		1.25		65	120		
		1.5	Q5024A1130 and BU5024-002		50	105	
		2			30	60	105
		Dual Actuator Linkage					
					Actuator Torque (lb-in)		
					350 (2 x 175)		600 (2 x 300)
	Close-Off (psi)						
	2.5	Q5024B2230 and BU5024-003	75		123		
	3	Q5024B2240 and BU5024-003	37		60		
	VB-922 Series VB-925 Series VB-926 Series	Single Actuator Linkage					
		Valve Connection Size (inch)	Linkage and Bonnet Adapter	Actuator Torque (lb-in)			
				44	88	175	300
		Close-Off (psi)					
		0.5	Q5024A1116 and BU5024-001	230	230		
0.75		165		230			
1		100		190			
1.25		65		120			
1.5		Q5024A1130 and BU5024-002		50	105		
2				30	60	105	
Dual Actuator Linkage							
			Actuator Torque (lb-in)				
			350 (2 x 175)		600 (2 x 300)		
Close-Off (psi)							
2.5	Q5024B2230 and BU5024-003	75		123			
3		50		80			

Table 3. Linkage and Actuator Selection. (Continued)

Manufacturer	Valve Model	Single Actuator Linkage							
		Valve Connection Size (inch)	Linkage and Bonnet Adapter	Actuator Torque (lb-in)					
				44	88	175	300		
				Close-Off (psi)					
Siebe Barber Colman Invensys (continued)	VB-927 Series VB-928 Series	0.5	Q5024A1116 and BU5024-001	230	230				
		0.75		165	230				
		1		100	190				
		1.25		65	120				
		1.5	Q5024A1130 and BU5024-002		50	105			
		2			30	60	105		
		VB-931 Series	Single Actuator Linkage						
	Valve Connection Size (inch)		Linkage and Bonnet Adapter	Actuator Torque (lb-in)					
				44	88	175	300		
					Close-Off (psi)				
	0.5		Q5024A1116 and BU5024-001	230	230				
	0.75			165	230				
	1			100	190				
	1.25			65	120				
1.5	Q5024A1130 and BU5024-002			50	105				
2				30	60	105			
Dual Actuator Linkage									
				Actuator Torque (lb-in)					
				350 (2 x 175)		600 (2 x 300)			
				Close-Off (psi)					
2.5	Q5024B2230 and BU5024-003	75		123					
3		50		80					
4		18		38					

Table 3. Linkage and Actuator Selection. (Continued)

Manufacturer	Valve Model	Single Actuator Linkage						
		Valve Connection Size (inch)	Linkage and Bonnet Adapter	Actuator Torque (lb-in)				
44	88			175	300	Close-Off (psi)		
Siebe Barber Colman Invensys (continued)	VB-932 Series	0.5	Q5024A1116 and BU5024-001	230	230			
		0.75		165	230			
		1		100	190			
		1.25		65	120			
		1.5	Q5024A1130 and BU5024-002		50	105		
		2			30	60	105	
		2.5	Q5024A1123 and WU5024-001			55	90	
		3				35	65	
		Dual Actuator Linkage						
					Actuator Torque (lb-in)			
					350 (2 x 175)		600 (2 x 300)	
					Close-Off (psi)			
		4	Q5024B2230 and WU5024-001	25		48		
	5	18		27				
	6	Q5024B2240 and WU5024-001	11		16			
	VB-7213 VB-7313	Single Actuator Linkage						
		Valve Connection Size (inch)	Linkage and Bonnet Adapter	Actuator Torque (lb-in)				
				44	88	175	300	Close-Off (psi)
		0.5	Q5024A1116 and BU5024-001	230	230			
		0.75		165	230			
1		100		190				
1.25		65		120				
1.5				85				
2		45						
Belimo	G- series	Single Actuator Linkage						
		Valve Connection Size (inch)	Linkage and Bonnet Adapter	Actuator Torque (lb-in)				
				44	88	175	300	Close-Off (psi)
		0.5	Q5024A1116 and BU5024-001	230	230			
		0.75		165	230			
		1		100	190			
		1.25		65	120			
1.5		85						
2		45						

NOTE: If your valve is not listed above fill out Special Order Form located below.

NOTE: The listed close-off pressures are estimated numbers only.

NOTE: The information in this table is based on publicly available information as of the date of this publication. Honeywell is not liable if information is found to be incorrect

Table 4. Bonnet and Stem Adapters.

Manufacturer	Part Number	Description
Johnson Controls	JU5024-001/U	Bonnet adapter 20mm diameter -1.5mm thread pitch with 1/4"-28 TPI* stem adapter
	JU5024-002/U	Bonnet adapter 1-1/16" diameter-16 TPI with 3/8"-24 TPI stem adapter
	JU5024-003/U	Bonnet adapter 28mm diameter-1.5mm thread pitch with 1/4"-28 TPI stem adapter
	JU5024-004/U	Bonnet adapter 3/4" diameter-16 TPI with 3/8"-24 TPI stem adapter
	JU5024-005/U	Bonnet adapter 3/4" diameter- 18 TPI with 1/4"-28 TPI stem adapter
	JU5024-006/U	Bonnet adapter 1.59" diameter-14 TPI with 1/2"-20 TPI and 3/8"-24 TPI stem adapter
Siemens, Landis Powers	GU5024-001/U	Bonnet adapter 1-5/16" diameter with 1/4"-28 TPI stem adapter
	GU5024-002/U	Bonnet adapter 1-3/32" diameter-14 with 3/8"-24 TPI and 1/4"-28 TPI stem adapters
	GU5024-003/U	Bonnet adapter 1-3/8" diameter - 20 TPI with 3/8"-24 and 1/4"-28 TPI stem adapters
Siebe, Barber Colman, Invensys	BU5024-001/U	Bonnet adapter 1-1/4" diameter-16 TPI with 1/4"-28 TPI stem adapter
	BU5024-002/U	Bonnet adapter 1" diameter - 16 TPI with 5/16"-24 TPI stem adapter
	BU5024-003/U	Bonnet adapter 1-1/4" diameter - 16 TPI with 1/2"-20 TPI stem adapter
	WU5024-001/U	Bonnet adapter 1-3/8" diameter -18 TPI with 3/8"-24 TPI stem adapter
Honeywell	HU5024-001/U	Bonnet adapter 1-3/8" diameter with 1/4"-28 TPI stem adapter
	HU5024-002/U	Bonnet adapter 1-7/8" diameter with 1/2"-20 TPI stem adapter

* TPI - threads per inch

NOTE: If you require a different length stem adapter fill out the Special Order Form located below.

Table 5. Bonnet Adapter Kits.

Kit Part Number	Description	Contents
JU5024-NPTKIT/U	Globe Valve Adapter kit for JCI NPT Valves (1/2" - 2")	JU5024-001*, JU5024-003*, JU5024-005* bonnet adapter, 1 of 1/4"-28 TPI stem adapter
JU5024-FLGKIT/U	Globe Valve Adapter kit for JCI Flange Valves (2.5" - 6")	JU5024-002*, JU5024-004* bonnet adapter, 1 of 3/8"-24 TPI and 1/2"-20 TPI stem adapters
GU5024-KIT/U	Globe Valve Adapter kit for Siemens, Landis Powers (1/2" - 6")	GU5024-001*, GU5024-002*, GU5024-003* bonnet adapter, 1 of 1/4"-28 TPI and 1 of 3/8"-24 TPI stem adapters
BU5024-NPTKIT/U	Globe Valve Adapter kit for Siebe, Barber Coleman, Invensys NPT Valves (1/2" - 2")	BU5024-001*, BU5024-002* bonnet adapter, 1 of 1/4"-28 TPI stem adapter
BU5024-FLGKIT/U	Globe Valve Adapter kit for Siebe, Barber Coleman, Invensys (2.5" - 6) Flange Valves	BU5024-003*, WU5024-001* bonnet adapter, 1 of 3/8"-24 TPI and 1 of 1/2"-20 TPI stem adapters

* Bonnet adapter only. For sizing see Table 4.

INSTALLATION

When Installing this Product...

1. Read these instructions carefully. Failure to follow them could damage the product or cause a hazardous condition.
2. Check the ratings given in the instructions and on the product to make sure that the product is suitable for your application.
3. Installer must be a trained, experienced service technician.
4. After installation is complete, verify product operation as provided in these instructions.

Location

Select a location in which the valve, linkage, and motor will be within the environmental and ambient temperature ratings. See the specifications section.

NOTE: Allow approximately 12 in. clearance above the valve bonnet for installation and servicing.

Mounting

IMPORTANT

1. Ensure the valve stem stroke matches the Q5024 linkage. See Table 1.
2. Mounting the Q5024 on a non-Honeywell valve requires the correct bonnet and stem adapter. See Table 4.

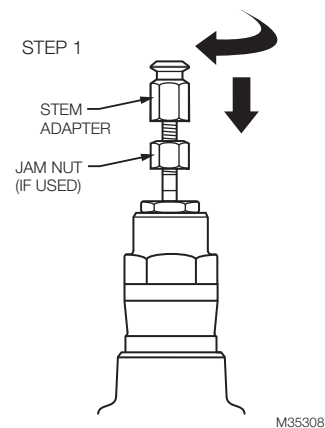
Installation

1. De-energize the valve and if needed, take it out of service.
2. Remove the existing actuator from the valve.
3. Remove existing stem adapter if used.
4. Clean the threads on the valve
5. For threaded stems, run a jam nut (if used) all the way down the stem. Thread the stem adapter firmly onto the stem. Then turn the jam nut back up until it hits the adapter and tighten the two in place.
6. If a bonnet adapter is used:
 - a. If threaded, firmly screw the adapter onto the valve bonnet.
 - b. If not threaded, tighten the adapter set screws into the valve bonnet.
7. Slide the linkage box over the bonnet adapter on the valve. Insert the two long bolts through the hole at the bottom of the linkage, lined up with the notch on the adapter. Once through, attach washer, lock washer, and tighten firmly.
8. Loosen the two 5mm Allen head screws on the stem clip and slide it over the notch on the stem adapter. Then tighten the two screws.

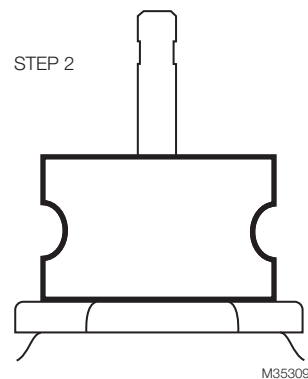
9. Verify that the valve stem stroke direction and the actuator rotation direction are properly related. For example, assume a spring return actuator and a 2-way, stem down to close, normally-closed valve are used together. With an unpowered actuator, the valve should be fully closed. To accomplish this rotate the actuator arm on the linkage fully counterclockwise. This moves the valve stem fully downward so that when the actuator turns counterclockwise the valve will close.
10. Mount the actuator onto the actuator arm approximately five degrees from its end stop with the valve fully seated. This ensures that the actuator closes the valve before it reaches its end-stop.
11. Place the anti-rotation pin into the bracket slot (see step 5), and slide into the notch on the rear of the actuator. Next secure the actuator to the actuator arm and finish by tightening the anti-rotation nut. Complete installation with wiring the actuator.

LINKAGE INSTALLATION

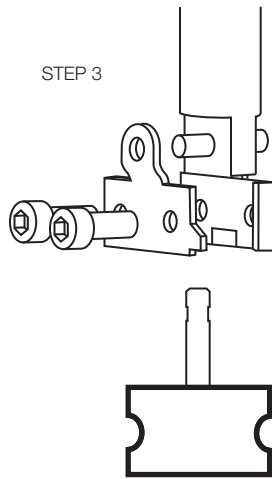
1. Remove any existing linkages then screw the jam nut and stem adapter onto the valve stem.



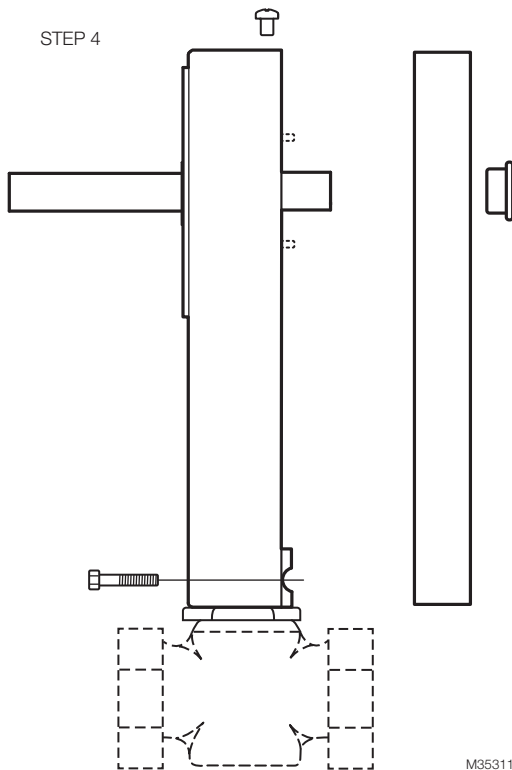
2. Screw the bonnet adapter onto the valve neck and tighten.



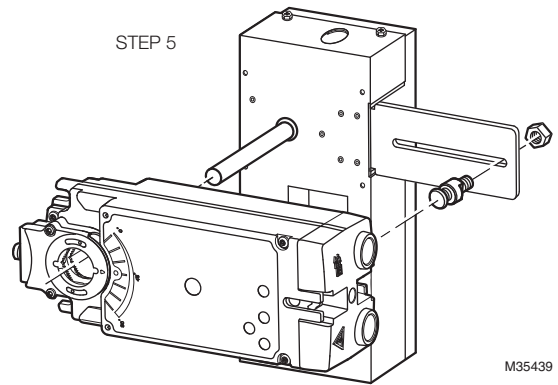
3. Attach the stem adapter to the mounting clips and tighten the screws.



4. Use two bolts to secure the valve to the linkage.



5. Typical installation of direct coupled actuators.



CHECKOUT

After installing the linkage and the actuator, proceed as follows:

1. Apply power to the actuator.
2. Cycle the valve through at least one complete stroke to ensure proper operation.
3. Ensure that the valve seats before the actuator reaches the stroke end.

NOTE: For 3-way valves it is important to make sure that the plug sits properly on both the upper and the lower seats before the actuator reaches either end of its full stroke.

4. If the valve does not travel or seat properly and is installed correctly, check Table 3. Ensure the valve, actuator, and linkage combination is correct for your application.
5. If the preceding troubleshooting steps do not locate the problem, check both the actuator and valve individually (see Checkout sections of the device instructions). For example, the actuator stroke may be impeded or the valve stem adapter height may be out of adjustment.
6. If the valve and actuator operate properly but the valve, actuator, and linkage combination does not, replace the linkage.



CAUTION

Follow these instructions carefully when installing this product; failure to follow these instructions and the instructions of other products used with this linkage may result in damage to the product or personal injury. Use caution in removing pneumatic actuators from valves as the springs may be under pressure. Installer must be a trained, experienced technician.

SPECIAL ORDER FORM

This form is to be used if your existing valve is not listed in the selection chart located in the Globe Valve Linkage literature. Make photocopies of this form as needed and e-mail completed forms to Honeywell's Take off Service at takeoff.service@honeywell.com to ensure proper linkage compatibility. A separate form should be used for each valve when information is different for valve size or manufacturer. Please fill out form completely. Draw your own diagram using the space in Figure No. 4 below if necessary.

Quantity: _____
 Valve Body Information: _____
 Figure No. (choose 1, 2, or 3 below): _____
 Manufacturer (if known): _____
 Model No. (if known): _____
 Valve Size: _____
 ___ 2 Way ___ 3 Way

Actuator (Mark all that apply):
 ___ On/Off ___ Tri-State ___ Modulating
 ___ Spring Return
 ___ 24 V ___ 120 V
 ___ Weather Proof Enclosure
 Approximate Close-Off Required: _____ (PSI)

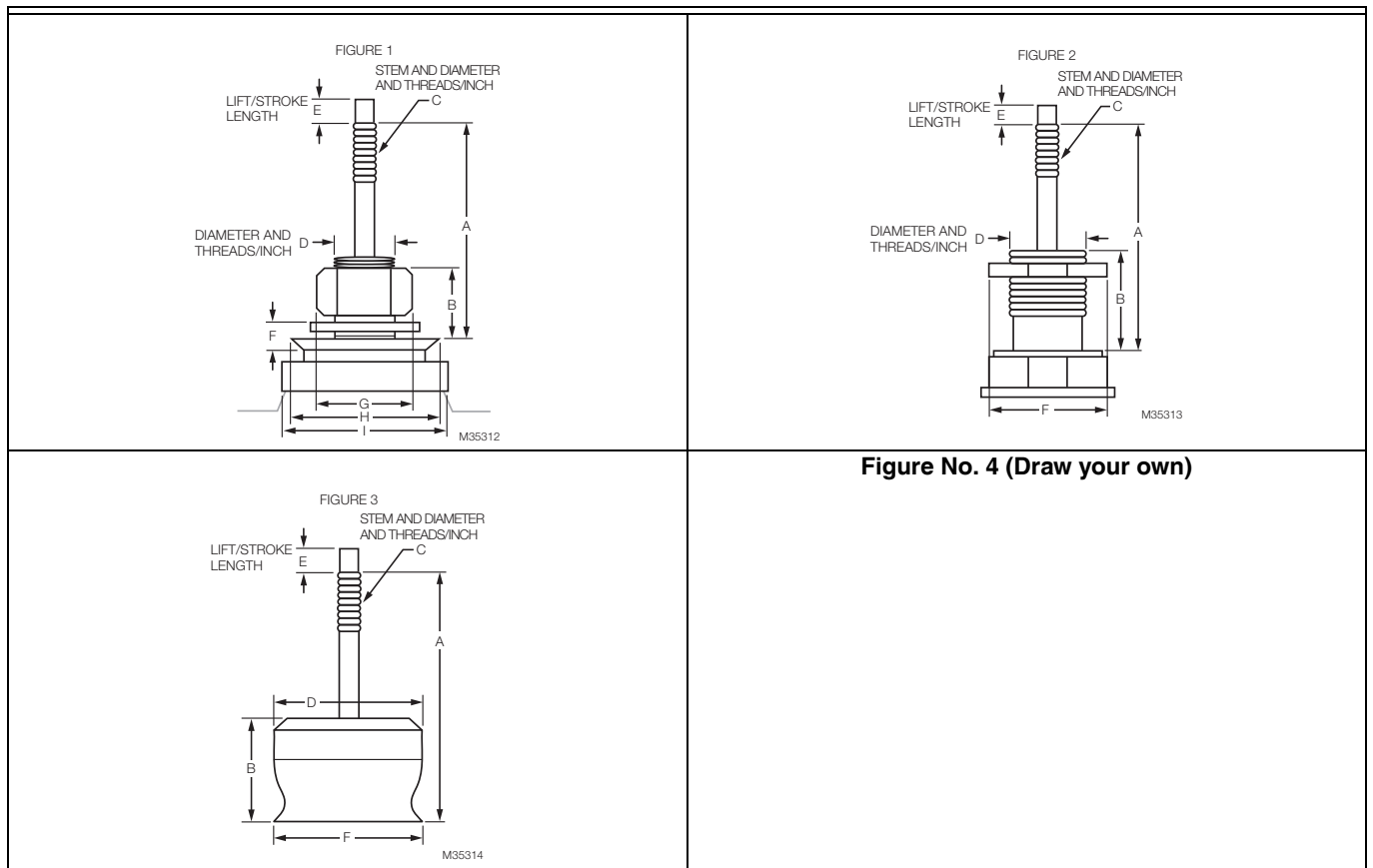
Valve Body Dimensions (see below for letter designations):

A= _____
 B= _____
 C= _____, _____ th/in
 D= _____, _____ th/in
 E= _____
 F= _____
 G= _____
 H= _____
 I= _____
 J= _____

Letter Designations (for above):

A = Height with stem down
 B = Length of neck
 C = Stem diameter and threads/inch
 D = Major diameter and threads/inch
 E = Lift (Stroke Length)
 F, G, H, I = Neck dimensions

Comments:



By using this Honeywell literature, you agree that Honeywell will have no liability for any damages arising out of your use or modification to, the literature. You will defend and indemnify Honeywell, its affiliates and subsidiaries, from and against any liability, cost, or damages, including attorneys' fees, arising out of, or resulting from, any modification to the literature by you.

Automation and Control Solutions

Honeywell International Inc.
1985 Douglas Drive North
Golden Valley, MN 55422
customer.honeywell.com

© U.S. Registered Trademark
© 2014 Honeywell International Inc.
38-00020—01 M.S. 11-14
Printed in United States

Honeywell